

****All resistors are 1/2 watt**

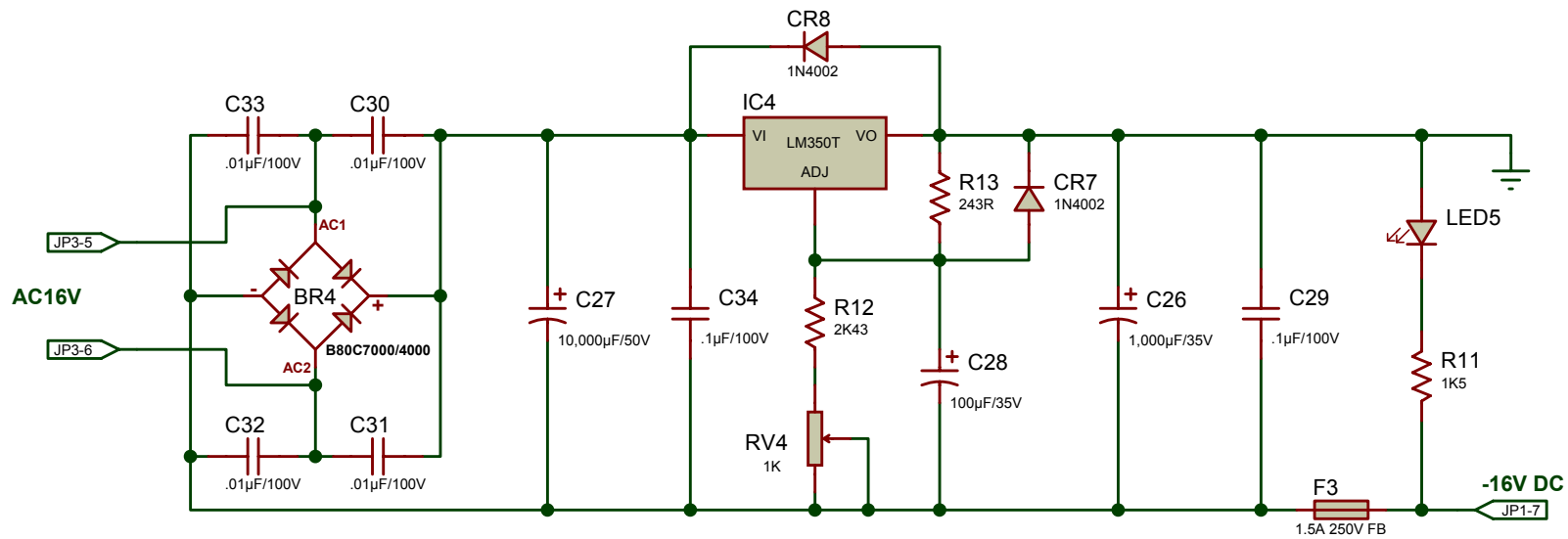
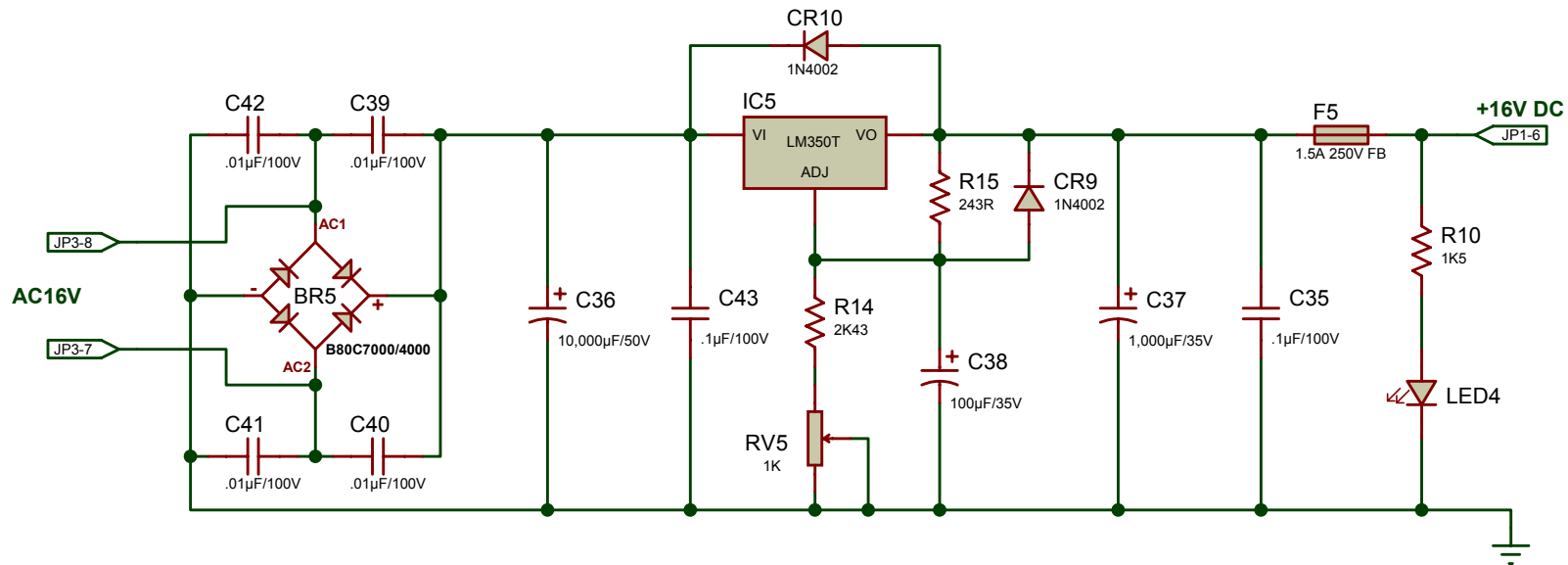
Original schematic by [silent:arts]

DESIGN TITLE: **CAPI GDIY51PSU-V2**
 REV: A.1
 BY: Jeff Steiger

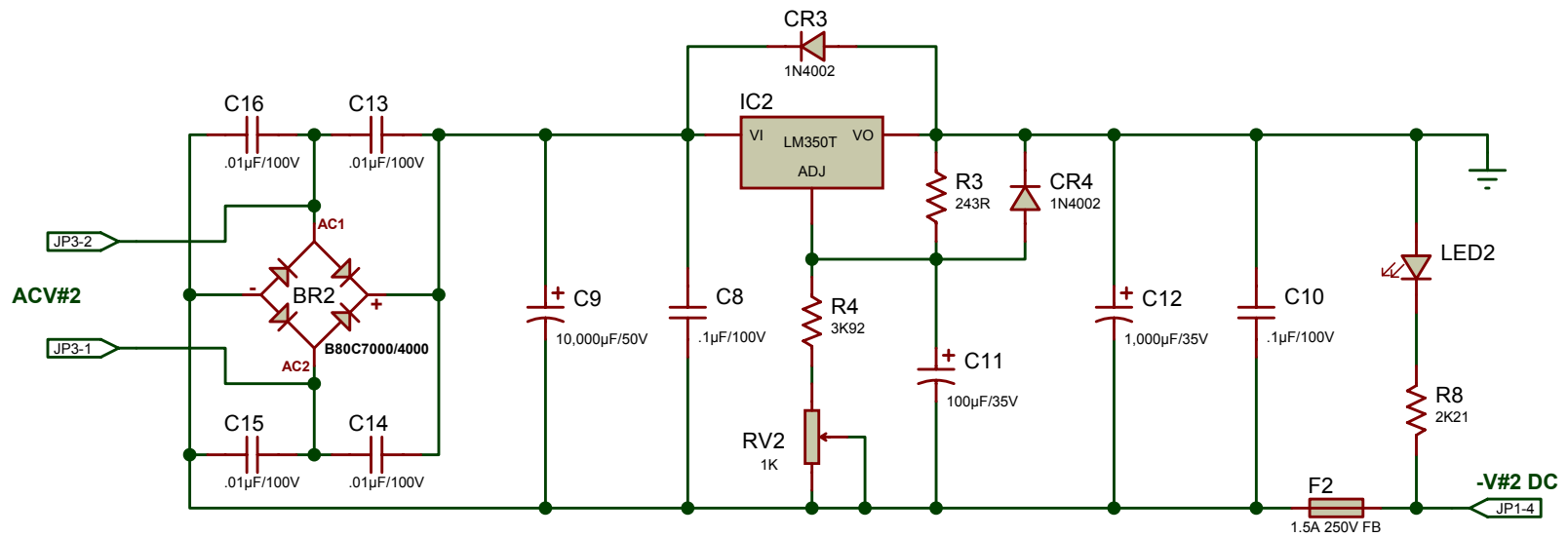
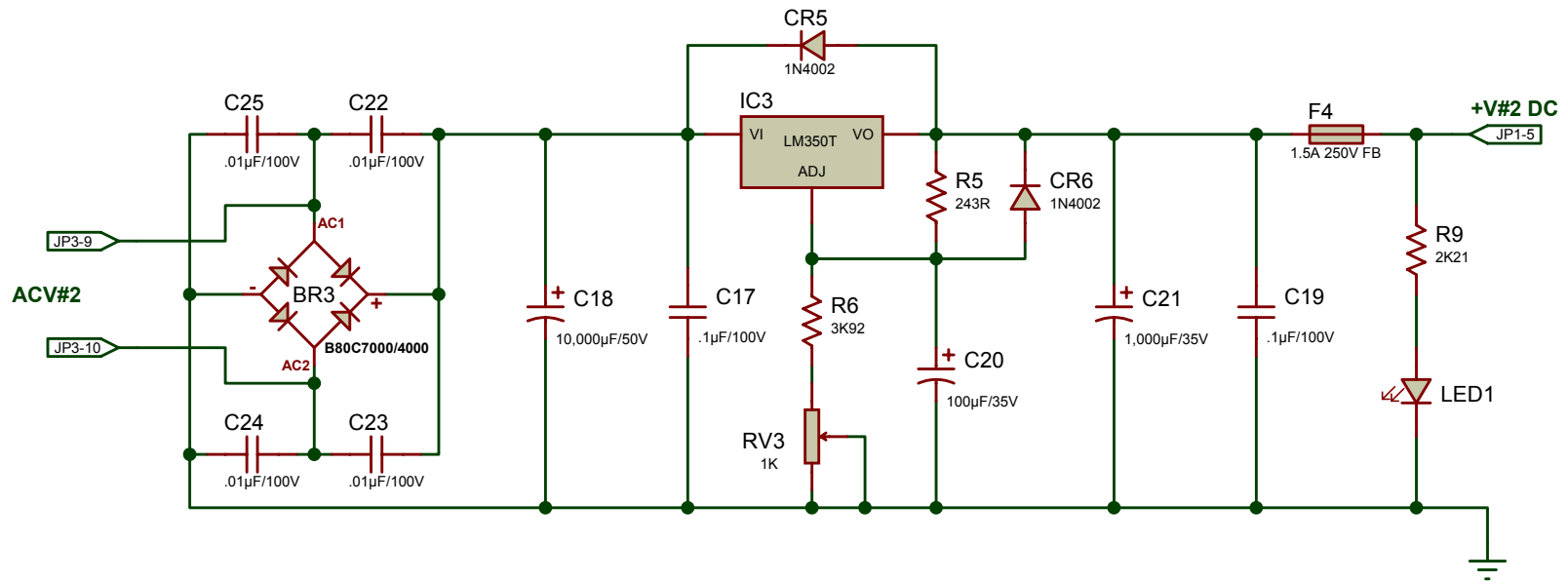
DATE: **9/20/2015**
 PAGE: 1 of 3



Classic Audio Products of IL



****All resistors are 1/2 watt**



****Please Note: Resistor values shown for -V#2 & +V#2 are for 24V, 51x operation.
 For Dual 16V, VPR operation change the follow:
 R4 & R6 to 2K43
 R8 & R9 to 1K5**

****All resistors are 1/2 watt**

Original schematic by [silent:arts]

DESIGN TITLE: **CAPI GDIY51PSU-V2**
 REV: A.1
 BY: Jeff Steiger

DATE: **9/20/2015**
 PAGE: 3 of 3



Classic Audio Products of IL