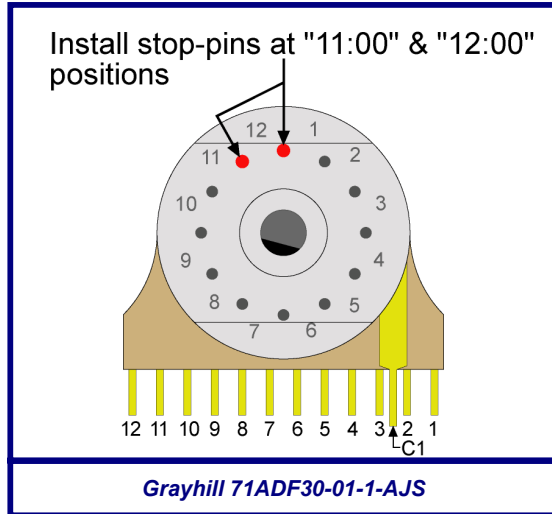
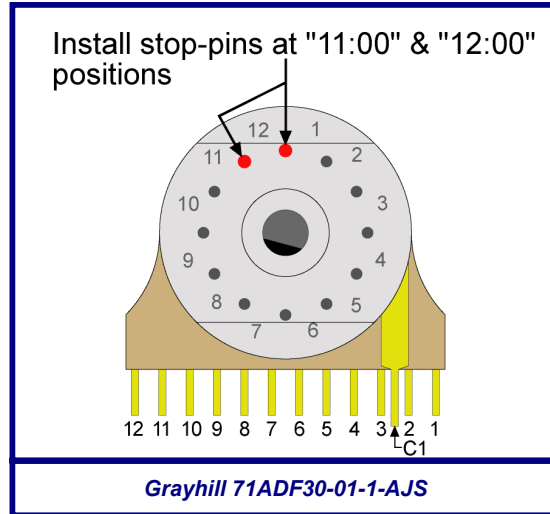


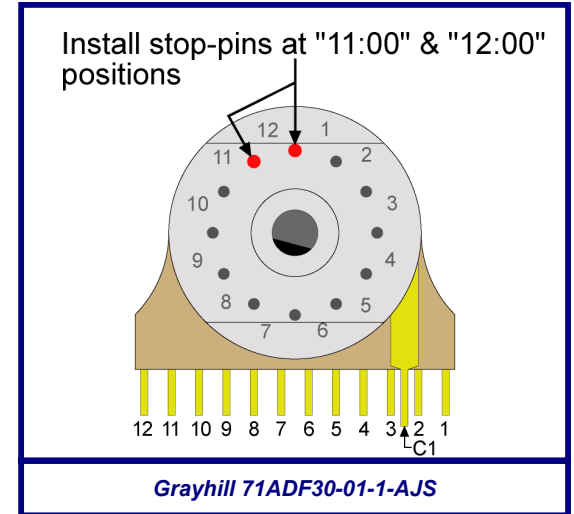
# For LC53A CB PCB



**SW6**



**SW4**



**SW3**