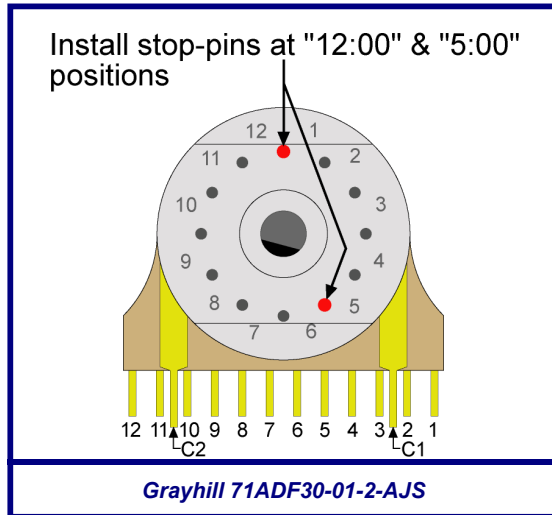
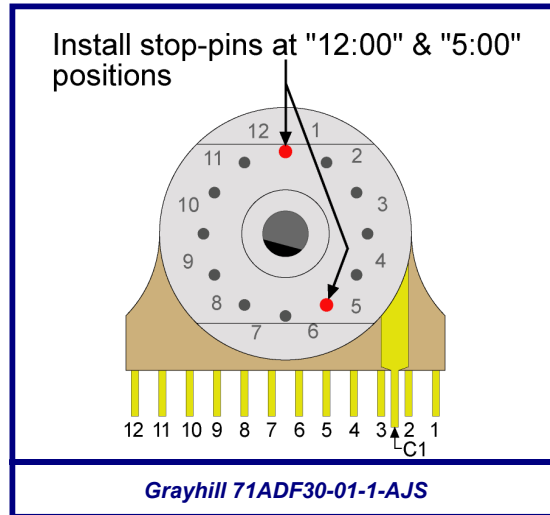


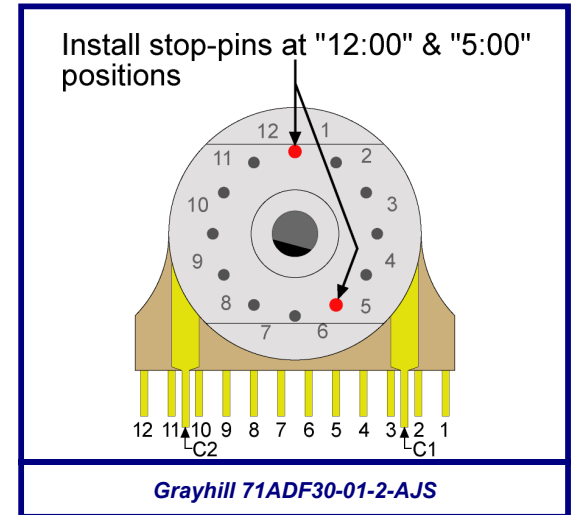
For LC53A LC-EP PCB



SW1



SW3



SW4