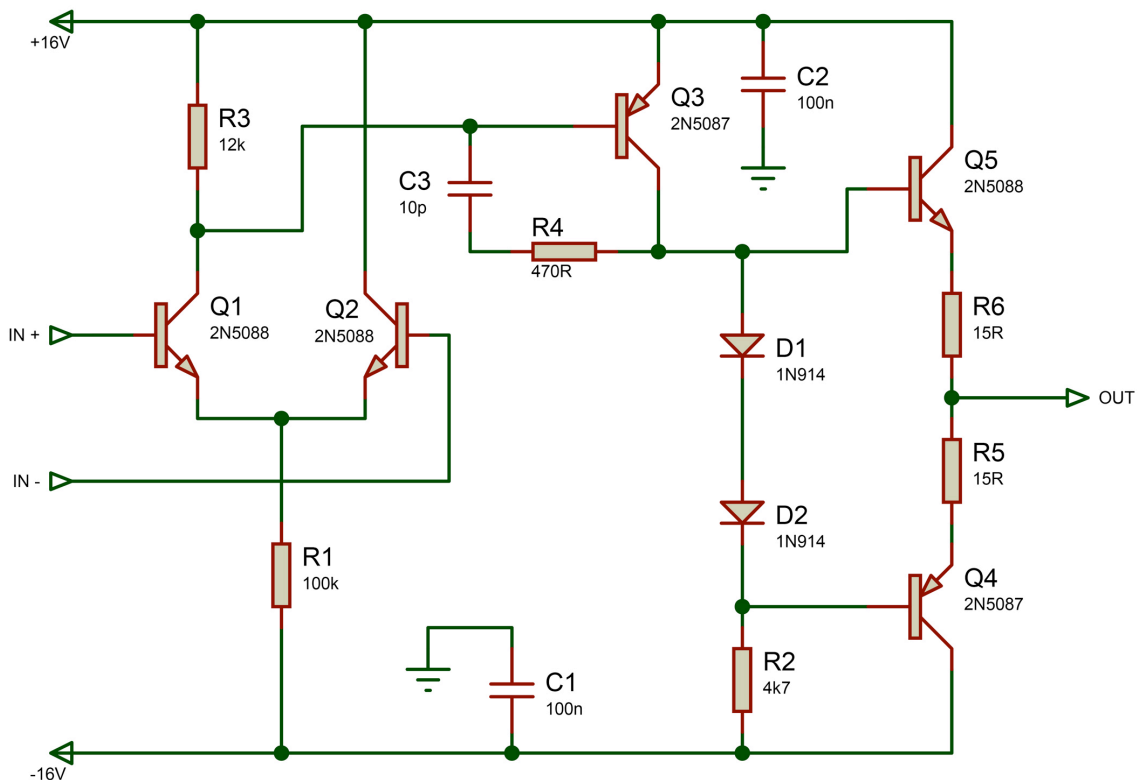


CAPI DTO5 Rev B Build Guide & BOM

1. For the vertical resistors, I bend the lead at the top of the resistor around my smallest jewelers screwdriver. That way it doesn't get bent at the body and the lead has a nice round shape to it with no kinks. The circles in the silk designate where the R's body should go. This will also keep the height of this board low since space to components on the sandwiched board above it is tight. Extra tall resistors will be a problem.
2. I also bend the 1N914 diodes around the jewelers screwdriver. The bodies for the diodes are not marked in the silk but I just alternate them with the resistors, as seen in the pic below.
3. I seat the taped transistors all the way down until the kinked leads bottom out, without bending the leads.
4. I install the 6-pin header last. Insert it from the bottom of the PCB so the black shroud is against the bottom of the DTO5 PCB. The shorter end of the PC pins should go thru the DTO5 PCB. The longer end will get soldered to the main PCB. Make sure the header is perpendicular to the PCB.



Copyright Notice

This assembly manual, including but not limited to all text, photographs and diagrams, is the intellectual property of Classic Audio Products of IL, Inc. Reproduction or re-publication by any means whatsoever, whether electronic, mechanical or electro-mechanical, is strictly prohibited under International Copyright laws. The sole purpose for this document is to aid in the assembly of the DTO5 Discrete Opamp kit offered by Classic Audio Products of IL, Inc. Commercial use is prohibited.



CAPI DTO5 Rev B Build Guide & BOM

Resistors				
Part # Qty	Position	Value	Type	Manufacturer
2	R5	15R	.25W 1% MF	Xicon
	R6			
1	R4	470R	.25W 1% MF	Xicon
1	R2	4.7k	.25W 1% MF	Xicon
1	R3	12k	.25W 1% MF	Xicon
1	R1	100k	.25W 1% MF	Xicon

Diodes				
Part # Qty	Position	Value	Type	Manufacturer
2	D1	1N914	Rectifier	Fairchild
	D2			

Capacitors				
Part # Qty	Position	Value	Type	Manufacturer
2	C1	.1μF, 50V	X7R Ceramic	BC
	C2			
1	C3	10pF, 50V	C0G Ceramic	BC

Transistors				
Part # Qty	Position	Value	Type	Manufacturer
3	Q1	2N5088	NPN-BJT	Fairchild
	Q2			
	Q5			
2	Q3	2N5087	PNP-BJT	Fairchild
	Q4			

Miscellaneous				
Part # Qty	Position	Value	Type	Manufacturer
1		6-pin	.1" header	3M
1	****		PCB	CAPI

