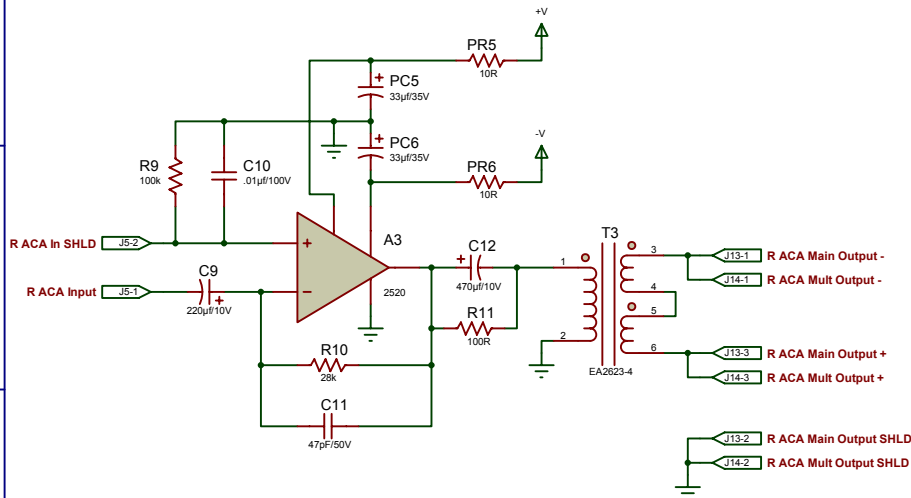
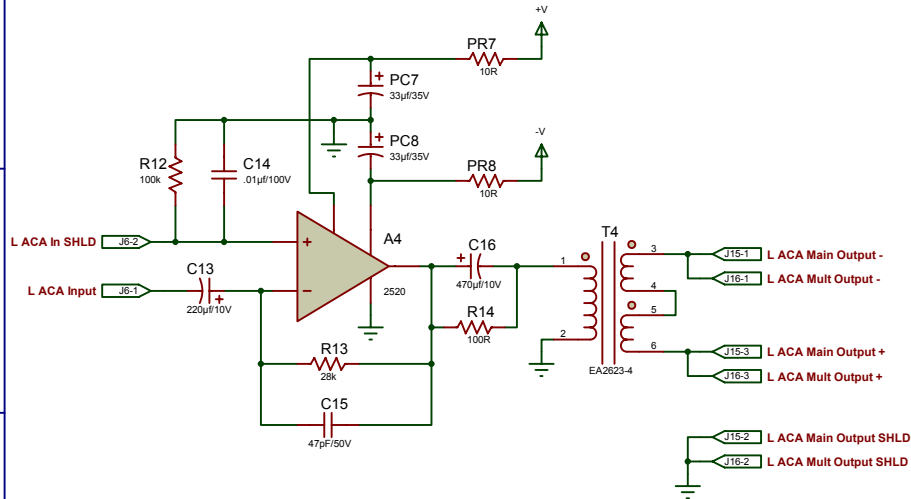


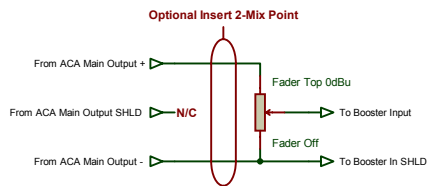
All resistors .25W / 1% unless specified  
 -3dB corner frequency is 120,938Hz

### ACA's



### Fader Connections

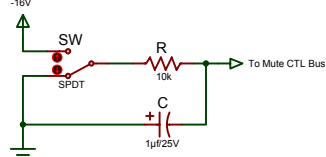
Single channel is shown. Repeat for stereo connection.



### FET Mute Control

\*\*\*If Mute CTL is not used, Mute CTL pins should be connected to GND.

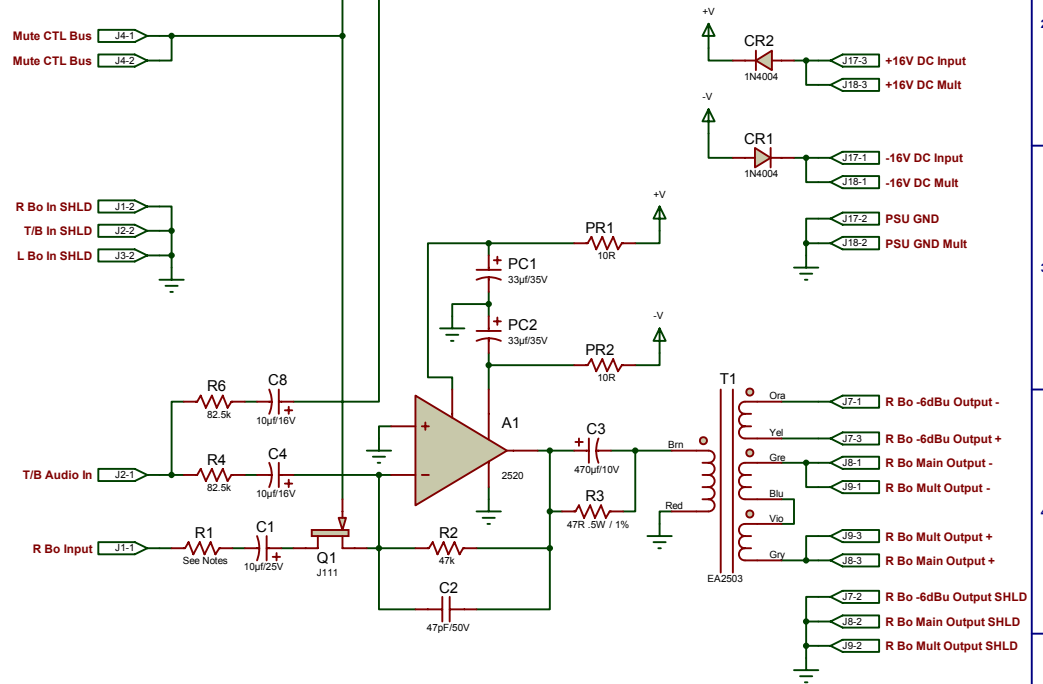
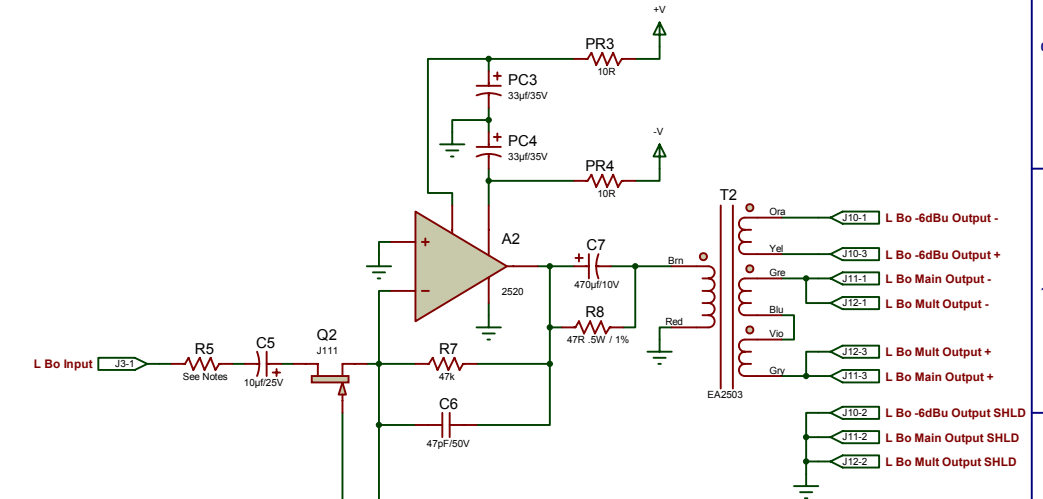
\*\*\*T/B Audio signal should be turned on and off with Mute CTL.



As drawn, the FET's are held closed allowing audio signal from the main inputs to pass. Connecting -16V (as shown above) to the Mute CTL bus will open the FET's. The audio from the main inputs can no longer pass. T/B Audio can now enter the opamps, if there is signal present at the J2-1 terminal pin.

All resistors .25W / 1% unless specified  
 -3dB corner frequency is 72,048Hz

### 325 Style Boosters



**R1 and R5 Notes**  
 If 600 ohm fader/pot/switch is used, R1 and R5 are 43.2k  
 If 1k fader/pot/switch is used, R1 and R5 are 47.5k  
 If 10k fader/pot/switch is used, R1 and R5 are 51k