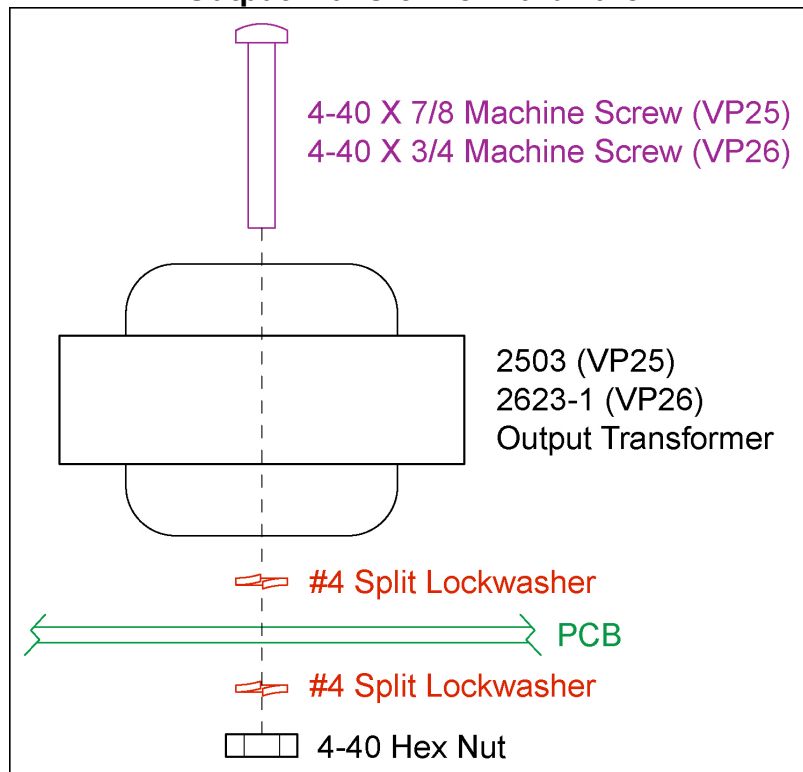


Hardware for Output Transformer	
Qty	Description
2	4-40 X (3/4 or 7/8) Machine Screws / Phillips / Pan Head / Steel / Zinc
2	4-40 X 1/4 Hex Machine Screw Nuts / Steel / Zinc
4	#4 Medium Split Lockwashers / Steel / Zinc

Hardware for Main PCB	
Qty	Description
4	4-40 X 3/16 Machine Screws / Phillips / Flat Undercut / 18-8 Stainless Steel
4	4-40 X 3/16 Machine Screws / Phillips / Pan Head / Steel / Zinc
4	3/16 Hex Standoffs (Female / Female) / Aluminum / 4-40 X 1/4
4	#4 Medium Split Lockwashers / Steel / Zinc

Output Transformer Hardware



Main PCB Mounting Hardware

