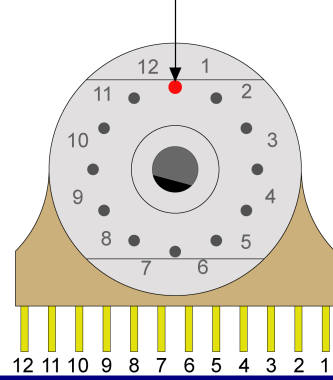


If stops for switch are not factory set then

Install stop-pin at "12:00" position only

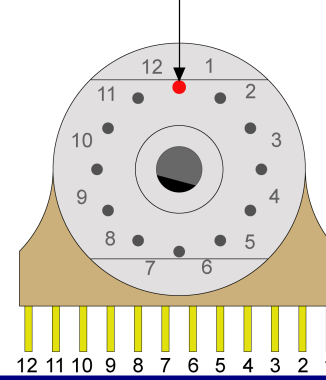


Grayhill 71ADF30-01-1-AJS

SW1

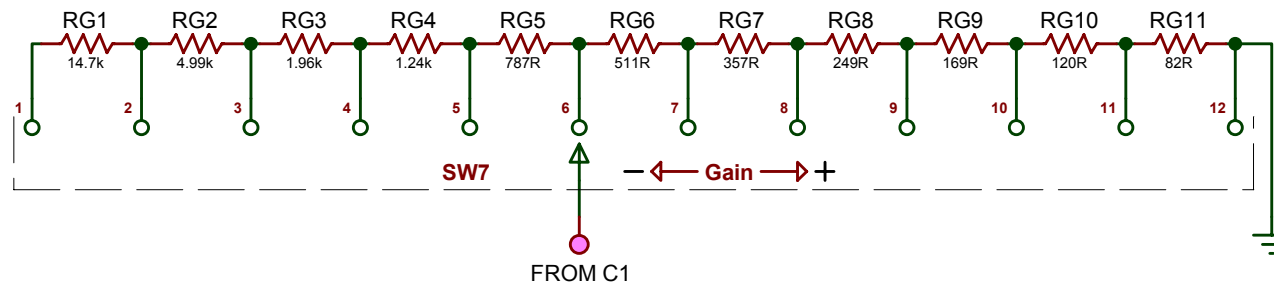
If stops for switch are not factory set then

Install stop-pin at "12:00" position only



Grayhill 71ADF30-01-1-AJS

SW7



RG Resistor Values for SW7