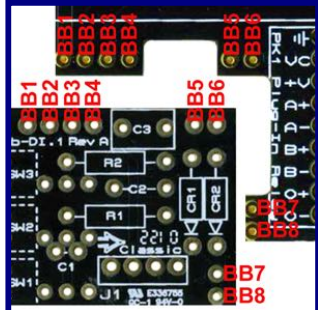
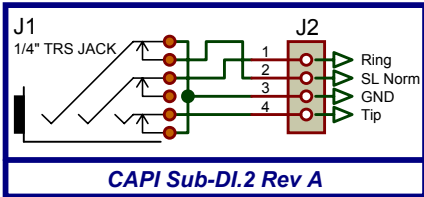
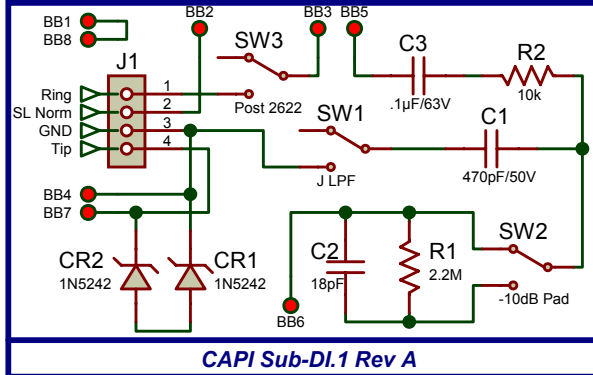


For Stepped Gain Option, See VP-Gainswitch Schematic



DESIGN TITLE: CAPI VP312DI  
 REV: C.1  
 BY: Jeff Steiger

DATE: 9/18/2015  
 PAGE: 1 of 1



Classic Audio Products of IL