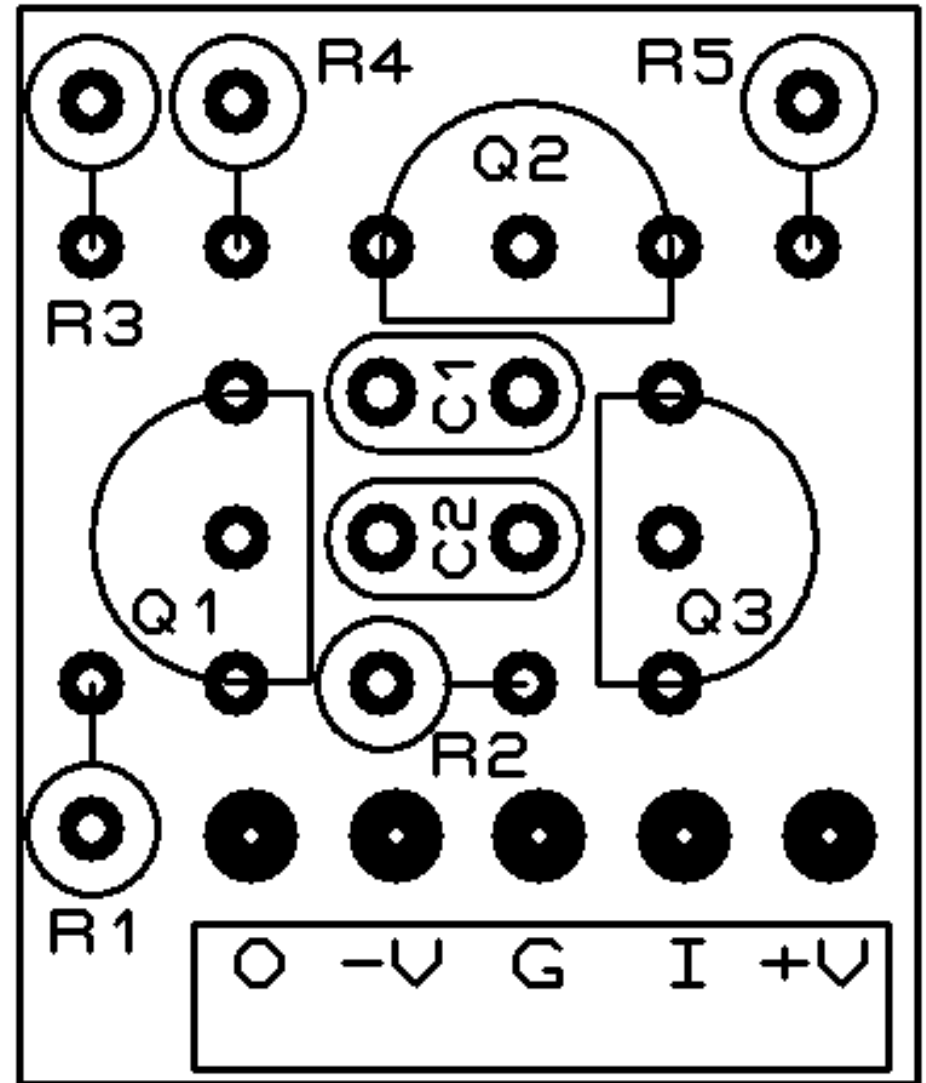
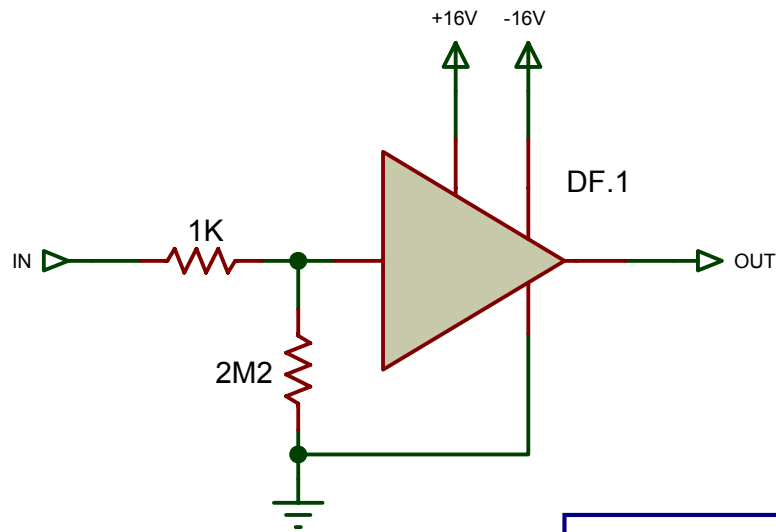


Component List

- R1 = 2k2
- R2 = 200R
- R3 = 36k
- R4 = 430R
- R5 = 39k
- C1 = 22pF (typically not used)
- C2 = 39pF
- Q1 = 2N5088
- Q2 = 2N5088
- Q3 = 2N5087

Note: the 1k and 2M2 R's are not included in the DF.1 kit



DESIGN TITLE: **Discrete Follower.1**

REV: A.1

BY: Jeff Steiger

DATE:

9/15/2015

PAGE: 1 of 1



Classic
Audio
Products
of IL