

**ALL BLACK BANDS ON DIODES
GO DOWN TOWARDS PCB**

Component List

R1 = 5k

R2 = 20k

C1 = 18 μ F, 35V

C2 = 10 μ F, 50V

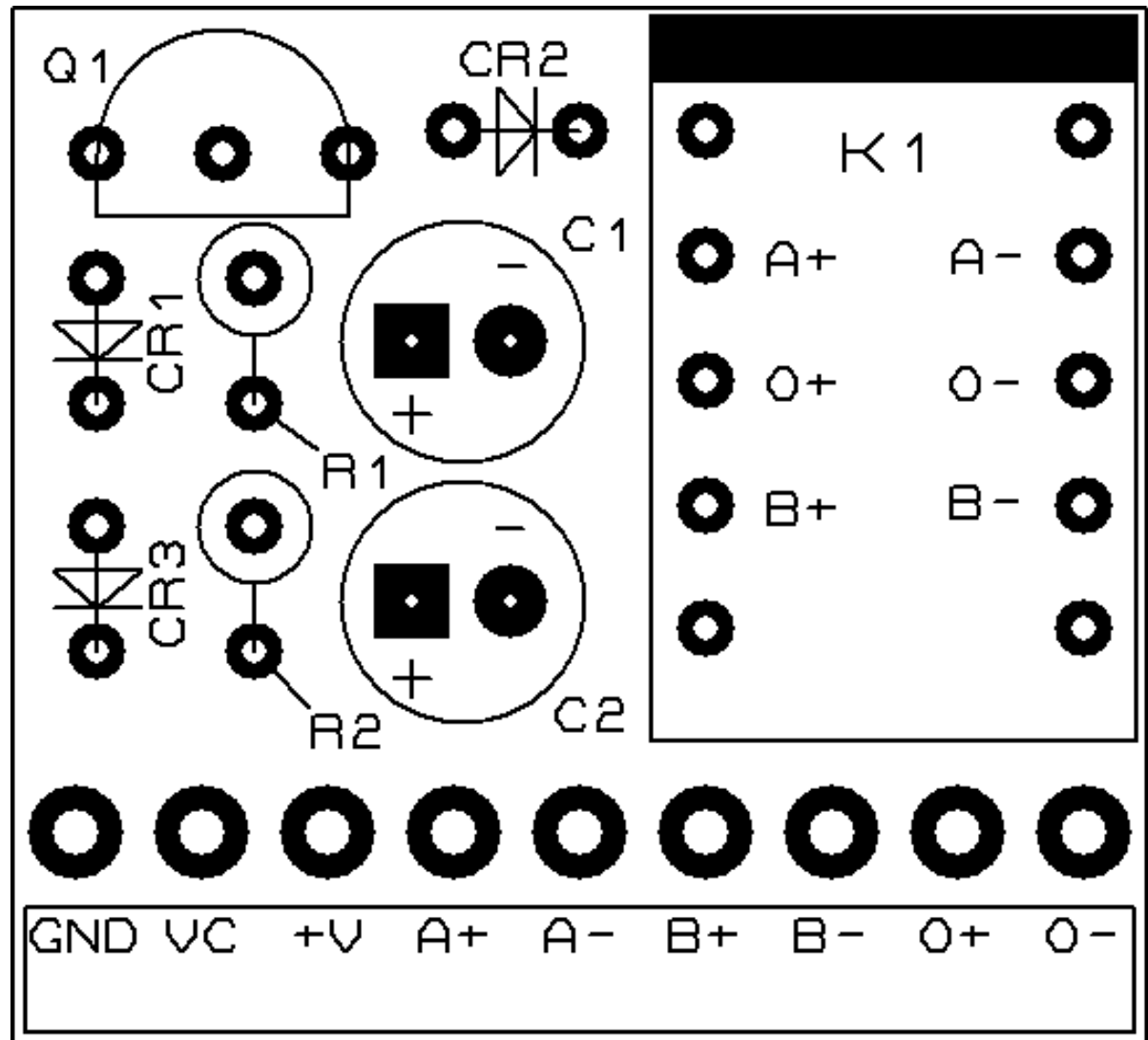
CR1 = 1N749 (4V3 Zener)

CR2 = 1N914

CR3 = 1N914

Q1 = 2N3904

K1 = Panasonic TQ2 Relay



DESIGN TITLE: **Plug-In Relay.1**

REV: A.2

BY: Jeff Steiger

DATE:

9/15/2015

PAGE: 1 of 1



**Classic
Audio
Products
of IL**